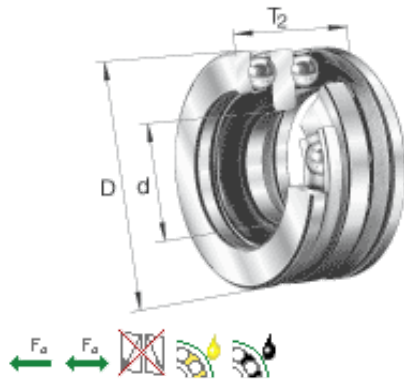


Axial deep groove ball bearings 523

main dimensions to DIN 711/ISO 104, double direction, separable



| | d | D | T ₂ | | | |
|-----------------|-----|-----|----------------|--|--|--|
| | mm | mm | mm | | | |
| 52305 | 20 | 52 | 34 | | | |
| 52306 | 25 | 60 | 38 | | | |
| 52308 | 30 | 78 | 49 | | | |
| 52307 | 30 | 68 | 44 | | | |
| 52309 | 35 | 85 | 52 | | | |
| 52310 | 40 | 95 | 58 | | | |
| 52311 | 45 | 105 | 64 | | | |
| 52312 | 50 | 110 | 64 | | | |
| 52314 | 55 | 125 | 72 | | | |
| 52313 | 55 | 115 | 65 | | | |
| 52315 | 60 | 135 | 79 | | | |
| 52316 | 65 | 140 | 79 | | | |
| 52317 | 70 | 150 | 87 | | | |
| 52318 | 75 | 155 | 88 | | | |
| 52320 | 85 | 170 | 97 | | | |
| 52322-MP | 95 | 190 | 110 | | | |
| 52324-MP | 100 | 210 | 123 | | | |
| 52326-MP | 110 | 225 | 130 | | | |
| 52328-MP | 120 | 240 | 140 | | | |
| 52330-MP | 130 | 250 | 140 | | | |