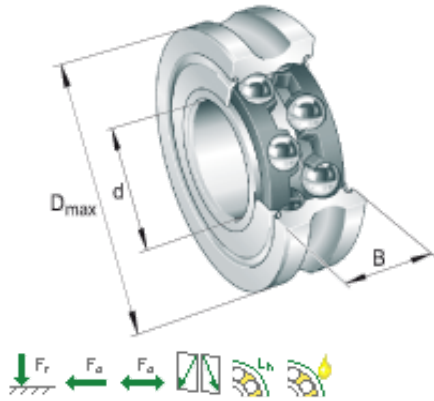


Track rollers with profiled outer ring LFR...-2Z

locating bearing track rollers, double row, gap seals on both sides



	d	D_{max}	B			
	mm	mm	mm			
LFR50/5-4-2Z	5	16	8			
LFR50/5-6-2Z	5	17	8			
LFR50/8-6-2Z	8	24	11			
LFR5201-10-2Z	12	35	15,9			
LFR5301-10-2Z	12	42	19			
LFR5201-12-2Z	12	35	15,9			
LFR5302-10-2Z	15	47	19			
LFR5204-16-2Z	20	52	22,6			
LFR5206-20-2Z	25	72	25,8			
LFR5206-25-2Z	25	72	25,8			
LFR5207-30-2Z	30	80	29			
LFR5208-40-2Z	40	98	38			
LFR5308-50-2Z	40	110	46			
	d	D_{max}	B			
	mm	mm	mm			