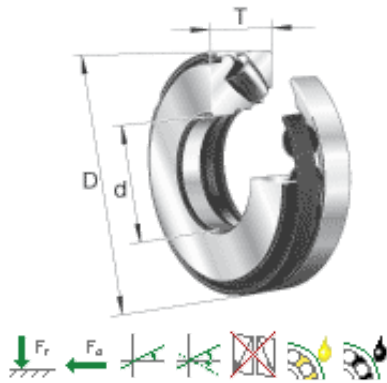


Axial spherical roller bearings 293.-E1

main dimensions to DIN 728/ISO 104, single direction, separable



	d	D	T			
	mm	mm	mm			
29317-E1	85	150	39			
29318-E1	90	155	39			
29320-E1	100	170	42			
29322-E1	110	190	48			
29324-E1	120	210	54			
29326-E1	130	225	58			
29328-E1	140	240	60			
29330-E1	150	250	60			
29332-E1	160	270	67			
29334-E1	170	280	67			
29336-E1	180	300	73			
29338-E1	190	320	78			
29340-E1	200	340	85			
29344-E1	220	360	85			
29348-E1	240	380	85			
29352-E1	260	420	95			
29356-E1	280	440	95			
29360-E1	300	480	109			
29364-E1	320	500	109			
29368-E1-MB	340	540	122			
	d	D	T			
	mm	mm	mm			
29372-E1-MB	360	560	122			
29376-E1-MB	380	600	132			
29380-E1-MB	400	620	132			
29384-E1-MB	420	650	140			
29388-E1-MB	440	680	145			