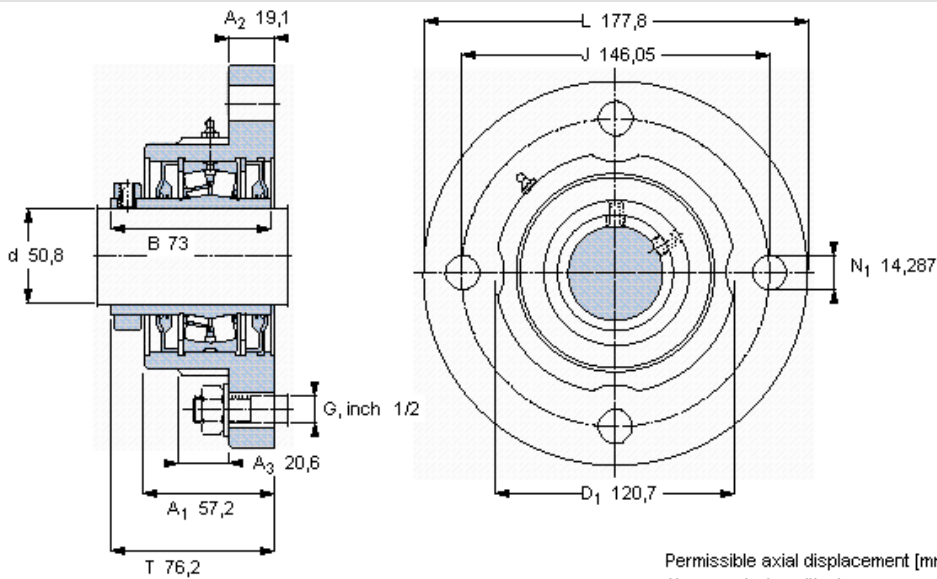


Principal dimensions					Basic load ratings		Designation	Basic bearing designation
d	A1	J	L	T	dynamic C	static C0		
mm					kN		-	-
50,8	57,2	146,05	177,8	76,2	84,5	100	FYR 2	22210



Permissible axial displacement [mm]
(from central position)

0,8