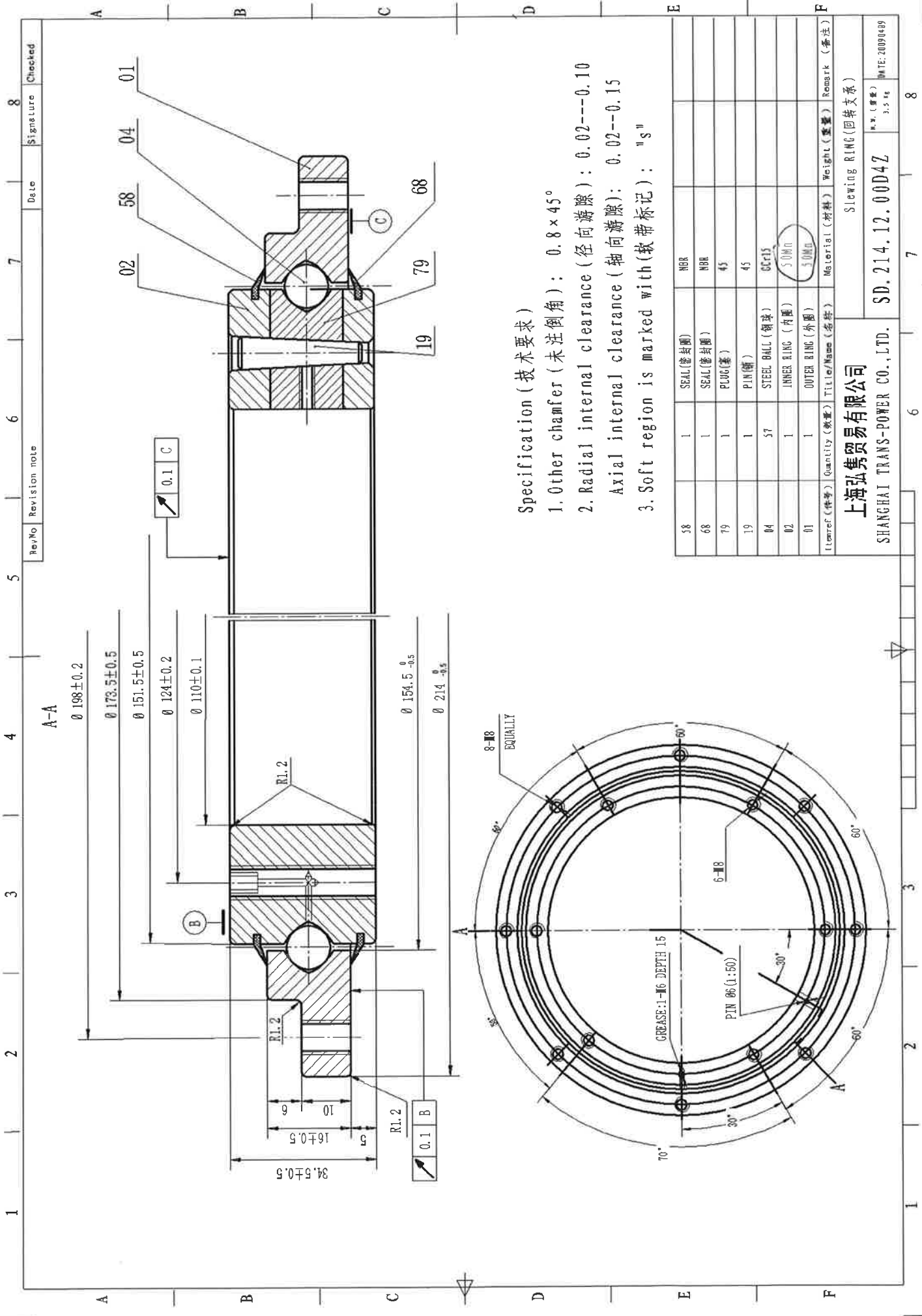


Kentso



Specification (技术要求)

1. Other chamfer (未注倒角): $0.8 \times 45^\circ$
2. Radial internal clearance (径向游隙): $0.02 \sim 0.10$
Axial internal clearance (轴向游隙): $0.02 \sim 0.15$
3. Soft region is marked with (软带标记): "S"

Item No. (序号)	Quantity (数量)	Title/Name (名称)	Material (材料)	Weight (重量)	Remark (备注)
58	1	SEAL (密封圈)	NGR		
68	1	SEAL (密封圈)	NGR		
79	1	PLUG (塞)	45		
19	1	PIN (销)	45		
04	57	STEEL BALL (钢球)	GCr15		
02	1	INNER RING (内圈)	50Mn		
01	1	OUTER RING (外圈)	50Mn		

Item No. (序号)		Quantity (数量)	Title/Name (名称)	Material (材料)	Weight (重量)	Remark (备注)
			Slewing RING (回转支承)			
			SHANGHAI TRANS-POWER CO., LTD.			
			SD. 214.12.00D4Z			
						DATE: 2009/4/29
						3.5 kg

Shanghai Trans-Power Co., Ltd.